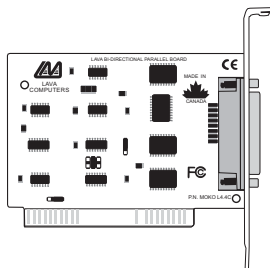
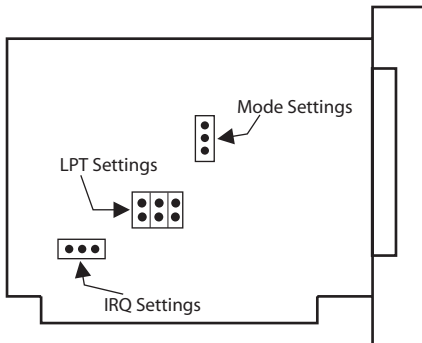


Lava Parallel Bi-directional Installation Manual



Rev. B00

Hardware Set-Up



IRQ Settings

IRQ 5

IRQ 7 (default)

LPT Settings

<input checked="" type="checkbox"/>	<input type="checkbox"/>	<input type="checkbox"/>	03BCh
<input type="checkbox"/>	<input checked="" type="checkbox"/>	<input type="checkbox"/>	0378h (default)
<input type="checkbox"/>	<input type="checkbox"/>	<input checked="" type="checkbox"/>	0278h

Mode Settings

Bi-Directional (default)

Output Mode

Parallel Configuration

1. Determine the number of parallel ports already installed in your system.
 2. If you have two parallel ports already installed, set the Parallel Bi-directional card to LPT 0 - address 3BC (ignore IRQ jumper). The Parallel Bi-directional card will now act as your PC's primary parallel port and will be seen by your operating system as LPT 1. All other LPT port designations will be increased by a factor of 1.
 3. If you have one parallel port installed, set the configuration jumpers for LPT 2 (address 278), IRQ 5 as shown.
 4. If you have no parallel ports installed, set the configuration jumpers for LPT 1 (address 378) IRQ 7, as shown.
 5. If desired, the Parallel Bi-directional card may be reconfigured for either bi-directional mode or for output only.
1. Il faut déterminer combien des ports parallèle en votre système.
 2. Si vous avez deux ports parallèle, ajouter le Port de Lava pour LPT0 (03BC hex). N'importe quoi l'IRQ. Le Port de Lava sera le Port Parallèle, primaire (LPT 1). Les autres sera LPT 2 (0378 hex) et LPT 3 (0278 hex).
 3. Si vous avez un port parallèle, ajoutez le Port de Lava pour LPT2 (0278 hex), IRQ 5.
 4. Si vous n'avez pas un port parallèle, ajoutez le Port de Lava pour LPT 1 (0378 hex), IRQ 7 [default].
 5. Si vous desirez, le Port Parallèle peut utiliser la mode bi-directionnelle, ou uni-directionnelle.

Lava Technical Support

9:00 am to 5:30 pm Monday to Friday (Eastern Time)

Tel: +416 674-5942

Fax: + 416 674-8262

E-mail: tech@lavalink.com

Internet: www.lavalink.com



Lava Computer MFG Inc.



This device complies with part 15 of the FCC Rules. Operation is subject to the following conditions: (1) This device may not cause harmful interference, and (2) this device must accept any interference received, including interference that may cause undesired operation.

Lava Computer MFG Inc. 908 Niagara Falls Blvd. #629. North Tonawanda NY 14120-2060

