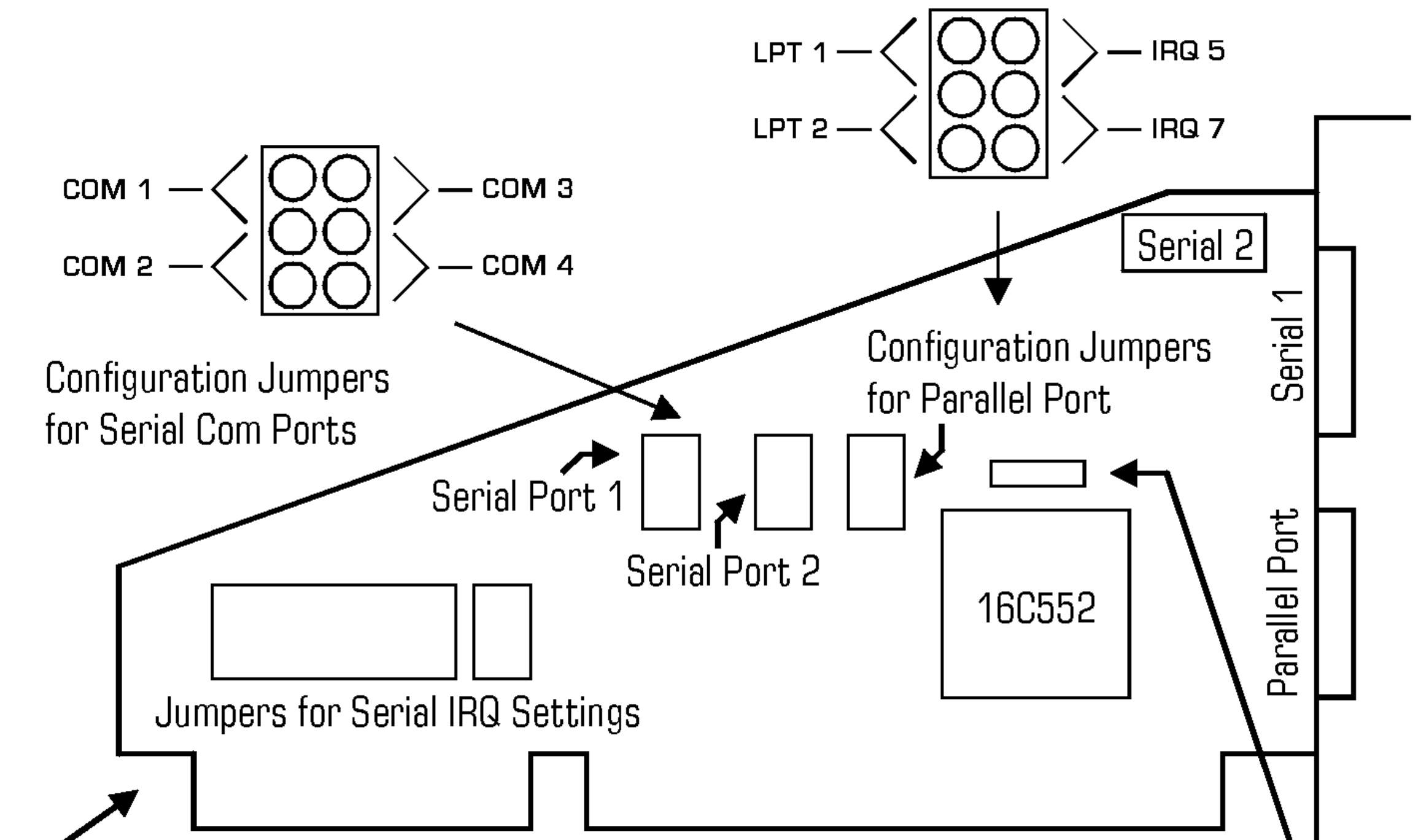
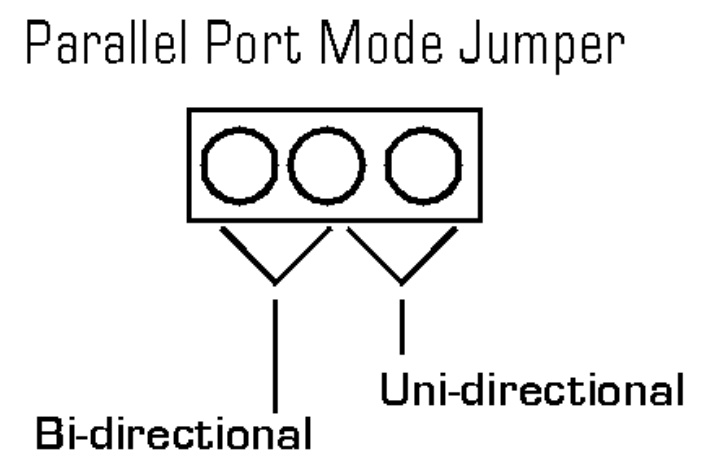
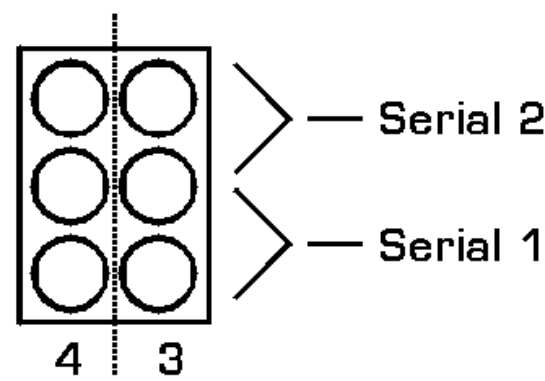
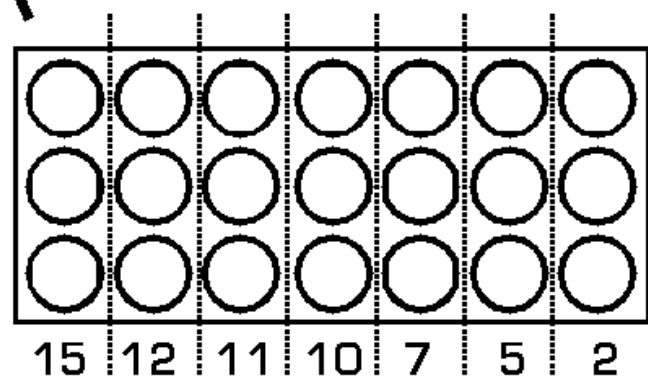


LAVA 2SP-550

1. Determine the number of serial & parallel ports installed in your system. Each serial port will have a unique "COM" designation and each parallel port will have a unique "LPT" designation. Configure the ports of the Lava 2SP-550 for two unused COM addresses & one unused LPT address.



2. Determine which IRQ's (interrupts) are free in your system. Configure each port on the 2SP-550 for an unused IRQ. Although some devices allow sharing of IRQ's, this is not recommended.



Note: To Disable a Port, remove the jumper from both of the corresponding COM or LPT and IRQ jumper configuration posts



Lava Computer MFG Inc.
 28A Dansk Ct. Rexdale ON Canada M9W 5V8
 tel: (416) 674-5942 fax: (416) 674-8262
www.lavalink.com

