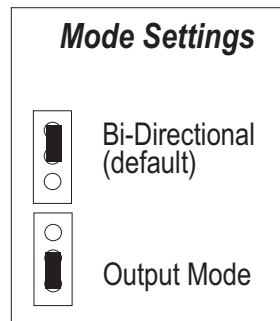
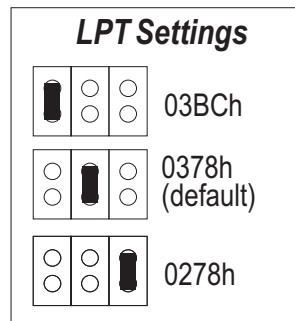
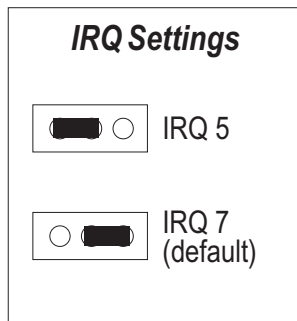
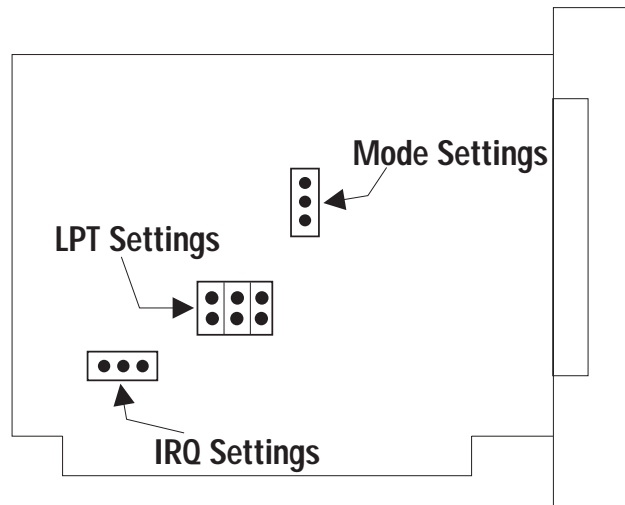


Hardware Set-Up



Parallel Configuration

1. Determine the number of Parallel Ports already installed in your system.
2. If you have two parallel ports already installed, set the Lava Parallel to LPT 0 - address 3BC (ignore IRQ jumper). The Lava Parallel will now act as your PC's primary parallel port and will be seen by your operating system as LPT 1. All other LPT port designations will be increased by a factor of 1.
3. If you have one parallel port installed, set the configuration jumpers for LPT 2 (address 278), IRQ 5 as shown.
4. If you have no parallel ports installed, set the configuration jumpers for LPT 1 (address 378) IRQ 7, as shown.
5. If desired the Lava Parallel may be reconfigured for either bi-directional mode or for output only.