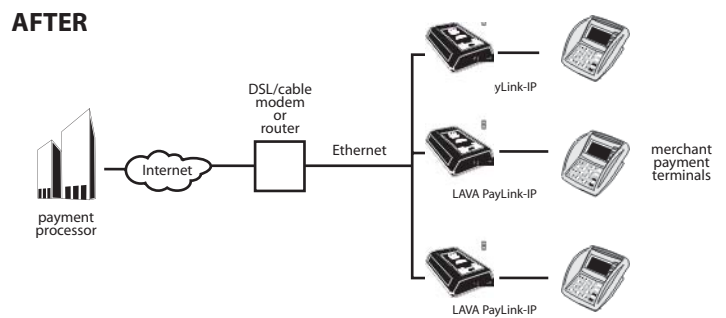
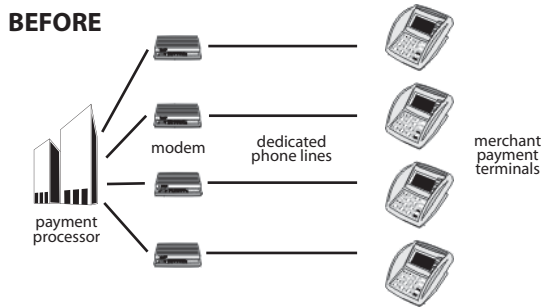




LAVA PayLink-IP

IP-enable dial-up merchants without replacing their payment terminals

LAVA: The Source for Ports



Reduce payment transaction times
 Cut telephone expenses by freeing up or eliminating phone lines
 Save money on long distance phone calls
 IP-enable legacy dial-up payment terminals

Easy set-up: Configure the LAVA PayLink-IP using a web browser. Then connect the merchant's terminal to the LAVA PayLink-IP and connect the LAVA unit to a DSL/cable modem, and you're done.



2 Vulcan Street
 Toronto, Ontario
 Canada
 M9W 1L2

TOLL-FREE: 1.800.241.5282
SALES DIRECT: 416.674.5942
FAX: 416.674.8262
E-Mail: sales@lavalink.com

LAVA: The Source for Ports



IP-Enable Legacy Payment Terminals

with LAVA PayLink-IP



SSL inside

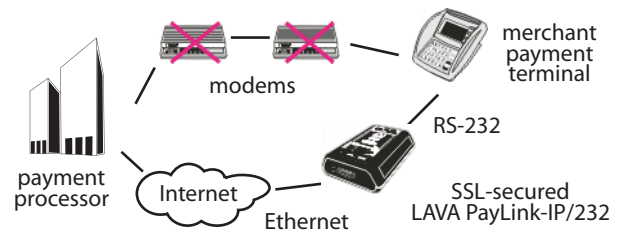
LAVA PayLink-IP/232:

SSL-secured RS-232-to-Ethernet device server

LAVA PayLink-IP/Dial:

SSL-secured POTS-to-Ethernet device server

- Reduce transaction times
- Cut telephone line costs
- Transmit securely over the Internet



LAVA PayLink-IP/232

For terminals that can transmit transaction data over a COM (RS-232) port.

The LAVA PayLink-IP/232 provides a standard serial port that will accept data from a payment terminal and establish a secure SSL connection to a payment host.

Features

- Single RS-232 DB-9 serial port supporting up to 115.2 kbps throughput
- 10 Base-T Ethernet interface (RJ-45)
- 128-bit SSL encryption for secure TCP/IP communications
- Intuitive installation and easy WEB-browser configuration
- IP address user configurable or DHCP configured
- Password protection
- Support for: IP, HTTP, TCP, UDP
- Power supply included

Benefits:

- Reduce payment transaction times
- Eliminate modems
- Cut telephone expenses by freeing up or eliminating phone lines
- Save money on long distance phone calls
- IP-enable legacy RS-232 payment terminals

Specifications

Encryption version: SSL 3.0 128-bit encryption

DB-9 serial port pinout: RS-232C

RJ-45 Ethernet: 10 Base-T

Power input: 9-29 VDC

Configuration interface: HTTP, web browser

Diagnostic LEDs: Serial TX & RX, network link, network activity, power

Weight: 221 g

Dimensions: 12.7cm x 10.16cm x 3.81cm

LAVA PayLink-IP/Dial

For use with terminals with integrated dial-up modems.

The LAVA PayLink-IP/Dial provides a standard phone jack interface to enable payment terminals with built-in modems to establish secure SSL connections to a payment host. These connections are created over IP rather than over a POTS (Plain Old Telephone System) line.

Features

- Single RJ-11 POTS port
- 10 Base-T Ethernet interface (RJ-45)
- 128-bit SSL encryption for secure TCP/IP communications
- Intuitive installation and easy WEB-browser configuration
- IP address user configurable or DHCP configured
- Password protection
- Support for: IP, HTTP, TCP, UDP
- Power supply included

Benefits:

- reduce payment transaction times
- Cut telephone expenses by freeing up or eliminating phone lines
- Save money on long distance phone calls
- IP-enable legacy dial-up payment terminals

Specifications

Encryption version: SSL 3.0 128-bit encryption

RJ-11 POTS port pinout

RJ-45 Ethernet: 10 Base-T

Power input: 9-29 VDC

Configuration interface: HTTP, web browser

Diagnostic LEDs: Network link, network activity, power

Weight: 221 g

Dimensions: 12.7cm x 10.16cm x 3.81cm